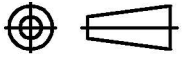


A
SIZE

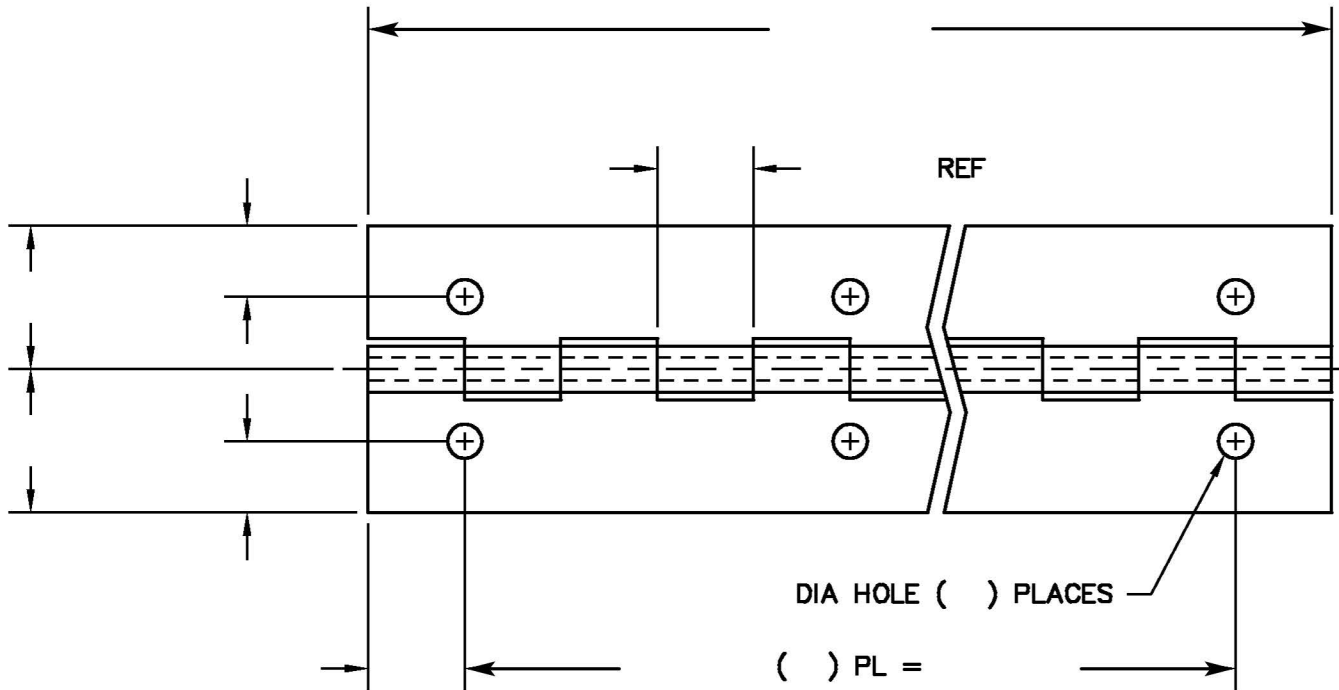
PROJECTIONS



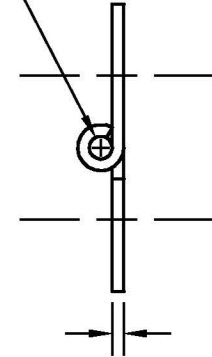
TOLERANCES UNLESS OTHERWISE SPECIFIED:

PLACES	INCH
.XX	± .030
.XXX	± .015
.XXXX	± .005
ANGLE	3°

NOTE:
ACCEPTABLE BURR ± 10% OF MATERIAL THICKNESS
ALL TOLERANCES ARE NON-CUMULATIVE
ALL DIMENSIONS APPLY TO PART BEFORE ANY FINISH IS APPLIED



DIA PIN
STAKED IN PLACE
SPUN BOTH ENDS
SPUN ONE END
OTHER:
NONE



ASSEMBLE STD REVERSE

SWAGED N Y,
SWAGED TYPE:

- NOTES:
1. FINISH:
2.
3.

DWG		SCALE	N/A	CODE IDENT. #
		DATE	10/18/01	03007
MATERIAL	FINISH SEE NOTE			
DR. BY	CK. BY			
FAX: 1-631-737-2933		<p>GUDEN</p> <p>99 RAYNOR AVE. RONKONKOMA, N.Y. 11779 1-800-3-HINGES</p>		
EMAIL: info@guden.com				
WEB: www.guden.com				

LTR	DESCRIPTION	DATE	APPD
	REVISION		